



60 Series Ball Valves

Engineered for reliability and low maintenance



Swagelok®

Suitable for a Wide Range of Applications

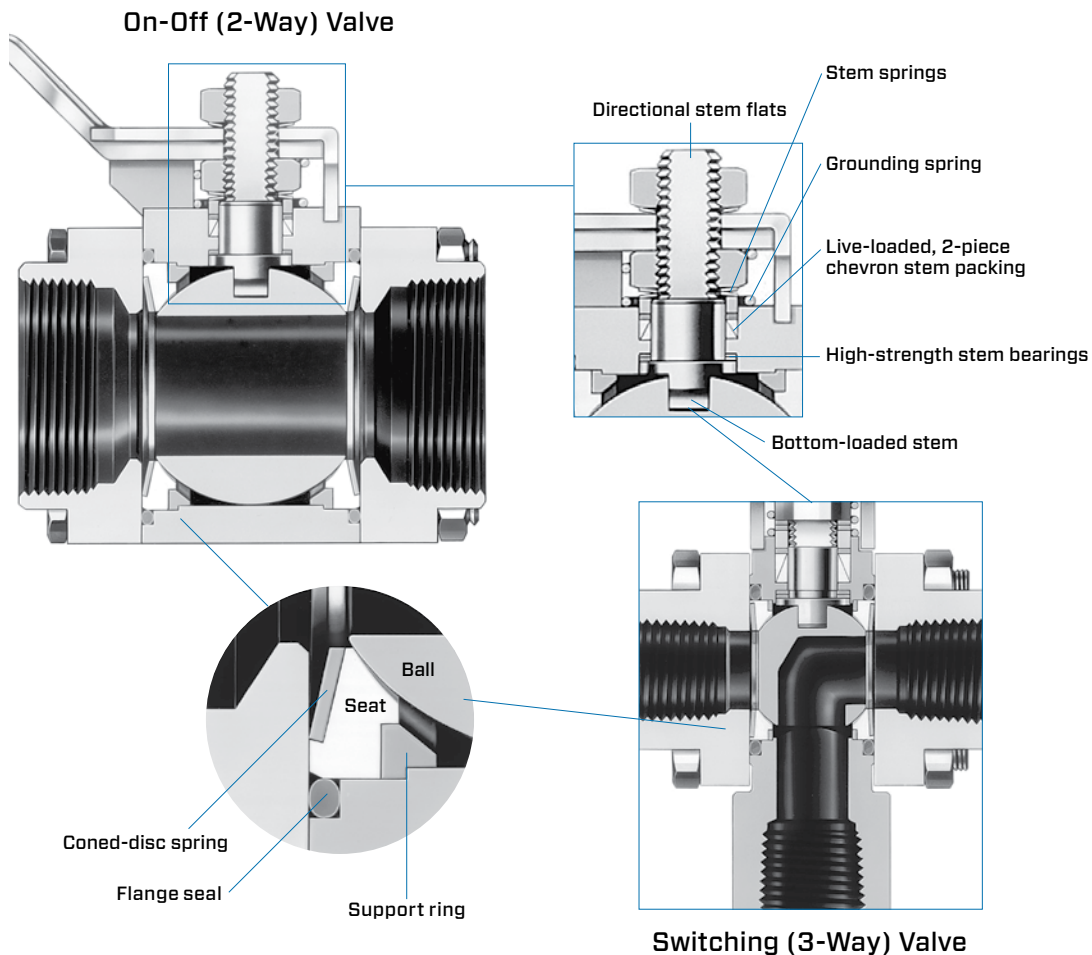
With a unique coned-disc, spring-loaded seat; live-loaded, two-piece chevron stem packing; and three-piece, swing-out design, 3-piece process/instrumentation, Swagelok® 60 series ball valves are designed for reliability and low maintenance. This quarter-turn ball valve is available in 2- and 3-way configurations as well as a variety of materials including stainless steel, carbon steel, brass and special alloys.



Specifications

- Variety of end connections in 1/8 to 2 in. and 6 to 25 mm sizes
- Temperature ratings from -65 to 850°F (-53 to 454°C)
- Standard working pressure up to 2200 psig (151 bar) with an option to increase to 3000 psig (206 bar)
- Wide selection of seat materials including:
 - Reinforced PTFE
 - Carbon/glass PTFE
 - UHMWPE
 - Alloy X-750
 - PEEK
 - Virgin PTFE
- Optional vent porting
- SC-11 cleaning available

Features of the 60 Series General Purpose and Special Application Ball Valves





End Connection Options



Swagelok Tube Fitting



Female Pipe Thread



Tube and Pipe Socket Weld



Pipe Butt Weld



Tube Extension



Sanitary Fitting



VCR Metal Gasket Face Seal Fitting



VCO O-Ring Face Seal Fitting



Female Pipe Thread to Swagelok Tube Fitting

Special Application 60 Series Valves



Steam Trap Test Valve

Consists of two 63 series ball valves and a universal mount. Steam trap is not included.

Steam Service (S60P)

-20 to 600°F (-28 to 315°C)

PEEK seats and stem seals designed to resist absorption of water and erosive damage of steam.

Thermal Service (T60M)

-65 to 850°F (-53 to 454°C)

Unique, spring-like metal seats provide positive leak-tight sealing at temperatures up to 850° F. Works well in low-and high-pressure systems.

Fire Series (A60T)

-40 to 400°F (-40 to 204°C)

Flexible graphite stem packing provides a reliable stem seal during normal conditions and maintains a seal in the event of a fire.

All-Welded (W60T)

-20 to 450°F (-28 to 232°C)

Full penetration weld provides one-piece body construction for leak-tight fluid containment.

Rapid Cycle (R60T)

0 to 100°F (-17 to 37°C)

Features an O-ring stem seal, which may be more effective, where rapid cycling is required or when packing adjustments may be difficult.

Chlorine Series (C60V)

-20 to 250°F (-28 to 121°C)

Carbon steel valve body with virgin PTFE seats and packing, in accordance with the guidelines of the Chlorine Institute Pamphlet 6.

Low Temperature (L60)

-65 to 250°F (-53 to 121°C)

Available with a variety of seat materials. Configurations include: 2-way and 3-way in stainless steel and 2-way in brass.

Options and Accessories

Valve Handle Options

Lever handles are standard. Also available are:



Oval Handles



Locking Brackets



Oval Latch-Lock Handles

An extended handle option is available for insulated service.

Low Dead Space Inserts

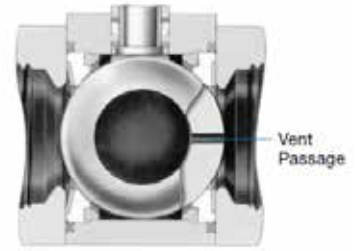


- Reduce fluid entrapment around the ball, stem, and seats while the valve is open or closed
- Made from carbon/glass reinforced PTFE
- Not for use on steam, thermal, or fire series valves

Vented Valves



External Vent Option



Internal Vent Option

2-way ball valves are available with either an internal or an external vent. These vents are available for either upstream or downstream service.

Panel Mount Kit



- Vertical or horizontal mounting
- Can be installed on panels up to 3/16 in. for 62 series and 1/4 in. thick for 63, 65, 67, and 68 series
- Fit oval and lever handles

Pneumatic, ISO-5211 Compliant and Electric Actuator Options



Pneumatic Actuators

Swagelok rack and pinion pneumatic actuators are designed to actuate Swagelok® ball valves. The actuators are compact, lightweight, easily mountable and can be operated with standard shop air. They are available in spring-return and double-acting modes.

For more information, see *Swagelok Ball Valve Actuation Options catalog, MS-02-343*.



ISO-5211 Compliant Pneumatic Actuators

The Swagelok rack and pinion pneumatic actuators are ISO-5211 compliant and are suitable for general applications. They are available in spring-return and double-acting modes.

For more information, see *Swagelok Ball Valve Actuation Options catalog, MS-02-343*.



Electric Actuators

Swagelok electric actuators are rugged and lightweight. They connect alternating- or direct-current power sources.

For more information, see *Swagelok Electric Actuators - 141 and 142 Series catalog, MS-01-35*.

Important Information:

- Swagelok ball valves are designed to be operated in a fully open or fully closed position.
- Packing adjustment may be required during the valve's service life.
- Caution: Actuated assemblies must be properly aligned and supported. Inadequate alignment or improper support of the actuated assembly may result in leakage or premature valve failure.

For more information on Swagelok 60 Series Ball Valves see *Ball Valves, General Purpose and Special Application, 60 Series catalog (MS-01-146)*.

Swagelok Los Angeles

info@la.swagelok.com - <http://losangeles.swagelok.com>

Los Angeles

(808) 252-7087

Hawaii

(808) 671-2688



Warranty Information: Swagelok products are backed by The Swagelok Limited Lifetime Warranty. For a copy, visit swagelok.com or contact your authorized Swagelok representative, listed above.
Safe Product Selection: When selecting a product, the total system design must be considered to ensure safe, trouble-free performance. Function, material compatibility, adequate ratings, proper installation, operation, and maintenance are the responsibilities of the system designer and user.

All service marks and trademarks shown are owned by Swagelok Company unless otherwise noted.